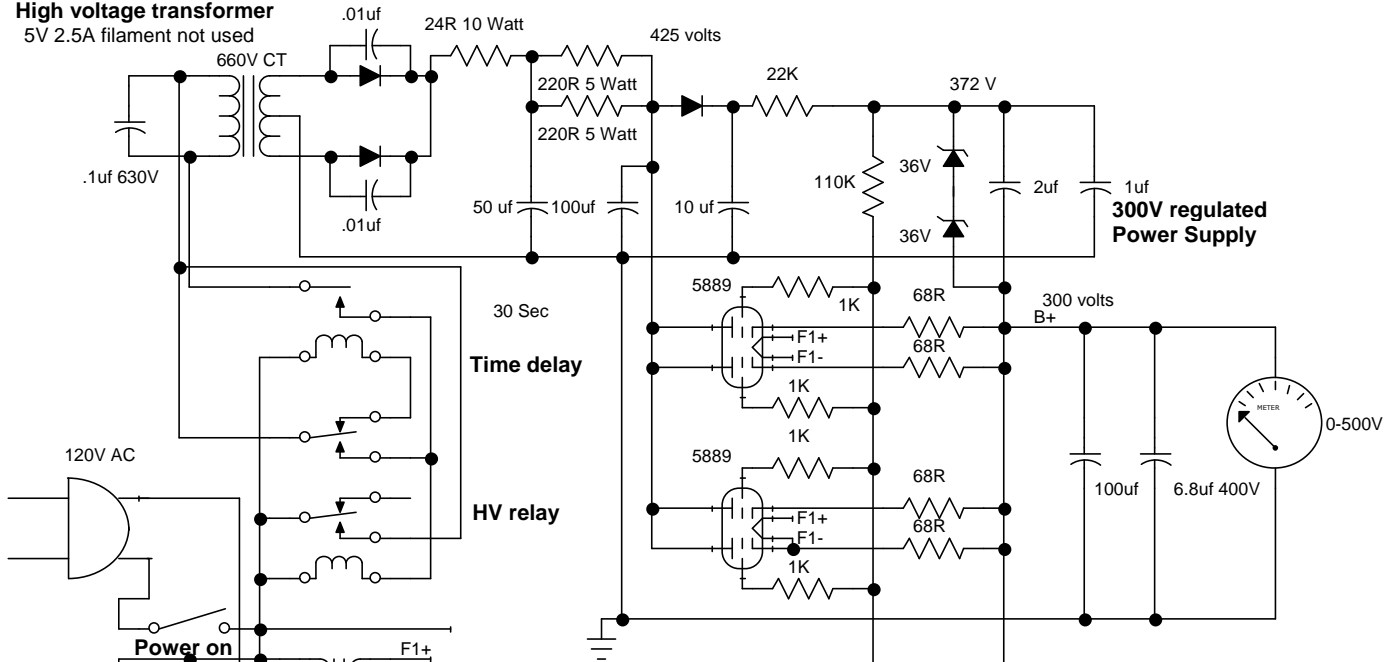


High voltage transformer

5V 2.5A filament not used

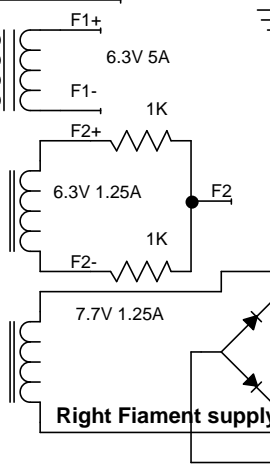


120V AC

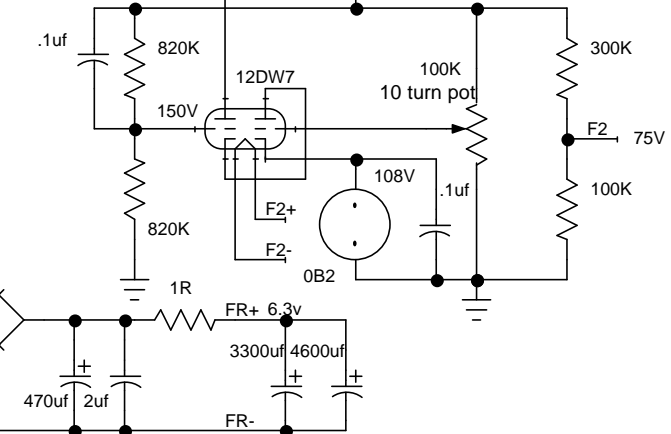
Power on

Green Neon (power)

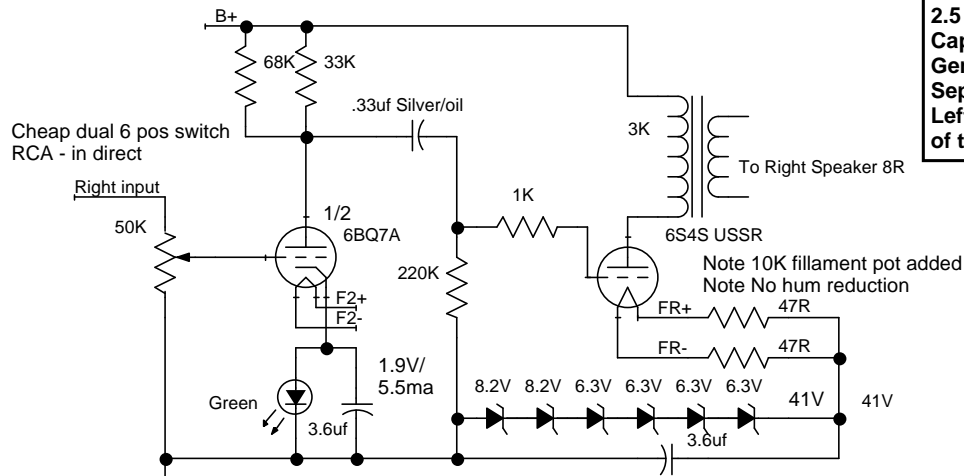
Filament transformer 4 Taps



Right Filament supply



**Ben's hackers amp
2.5 Watt Set
Caps 400V or 630V
General schematic
Sept 17/2008
Left channel duplicate
of the Right one**



Only right channel shown - input selector not shown

Cheap dual 6 pos switch
RCA - in direct

Right input

1/2 6BQ7A

6S4S USSR

FR+ 6.3v

FR- 6.3v

47R 47R

41V 41V

3.6uF

1.9V/5.5ma

Green

3.6uF

220K

1K

.33uF Silver/oil

68K 33K

B+

To Right Speaker 8R

3K

Note 10K filament pot added
Note No hum reduction

108V

100K

10 turn pot

12DW7

150V

820K

820K

1R

1R

3300uF

4600uF

FR+

FR-

470uF

2uF

7.7V 1.25A

F2+

F2-

1K

1K

6.3V 1.25A

F2+

F2-

1K

6.3V 5A

F1+

F1-

1uF 630V

660V CT

.01uF

.01uF

24R 10 Watt

220R 5 Watt

220R 5 Watt

425 volts

372 V

110K

36V

36V

2uF

1uF

300 volts B+

5889

1K

68R

68R

1K

1K

30 Sec

Time delay

5889

1K

68R

68R

1K

1K

100uF

6.8uF 400V

0-500V

METER